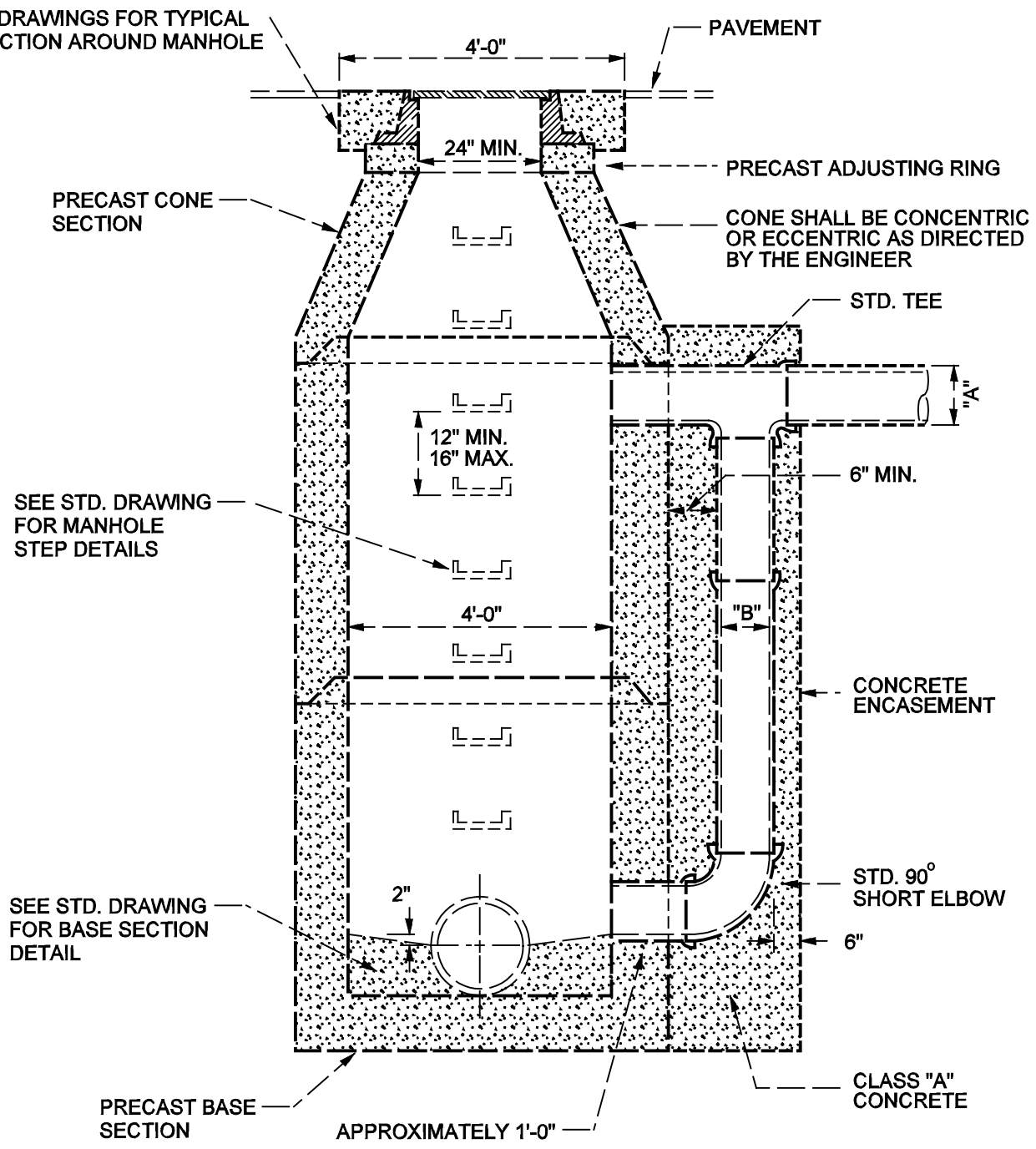


SEE STD. DRAWINGS FOR TYPICAL CONSTRUCTION AROUND MANHOLE



SEE STD. DRAWING FOR MANHOLE STEP DETAILS

SEE STD. DRAWING FOR BASE SECTION DETAIL

PAVEMENT

PRECAST ADJUSTING RING  
 CONE SHALL BE CONCENTRIC OR ECCENTRIC AS DIRECTED BY THE ENGINEER

STD. TEE

6" MIN.

CONCRETE ENCASEMENT

STD. 90° SHORT ELBOW

6"

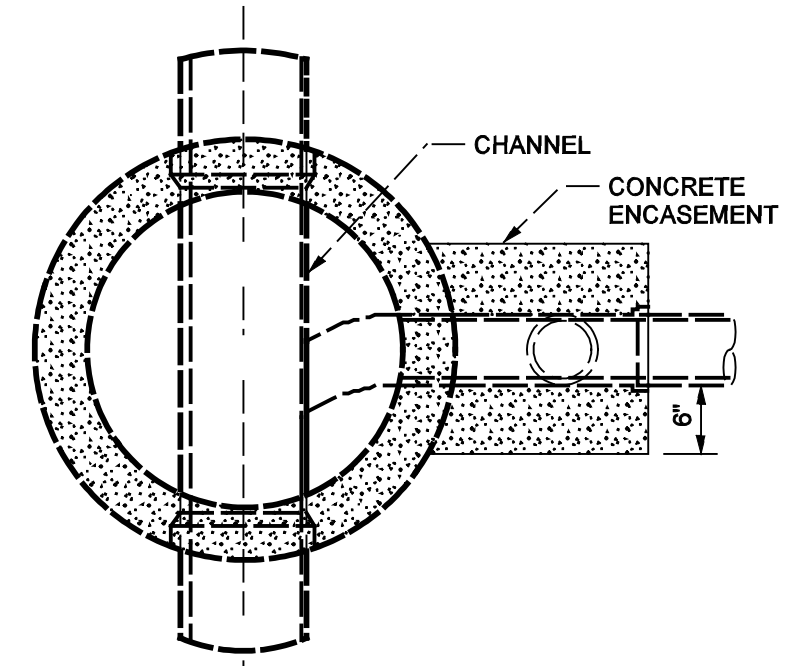
CLASS "A" CONCRETE

APPROXIMATELY 1'-0"

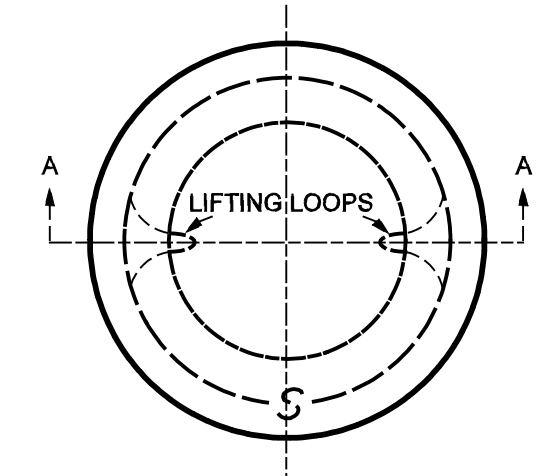
"A"	"B"
8", 10" & 12"	8"
15" & 18"	10"
21" & 24"	12"

DROP CONNECTION SCHEDULE

NOTE:  
 TYPE "D" MANHOLE SHALL BE USED WHERE THE DIFFERENCE IN INVERT ELEVATIONS IS GREATER THAN 2'-0".



SECTIONAL PLAN



SECTION A-A  
 PRECAST ADJUSTING RING

