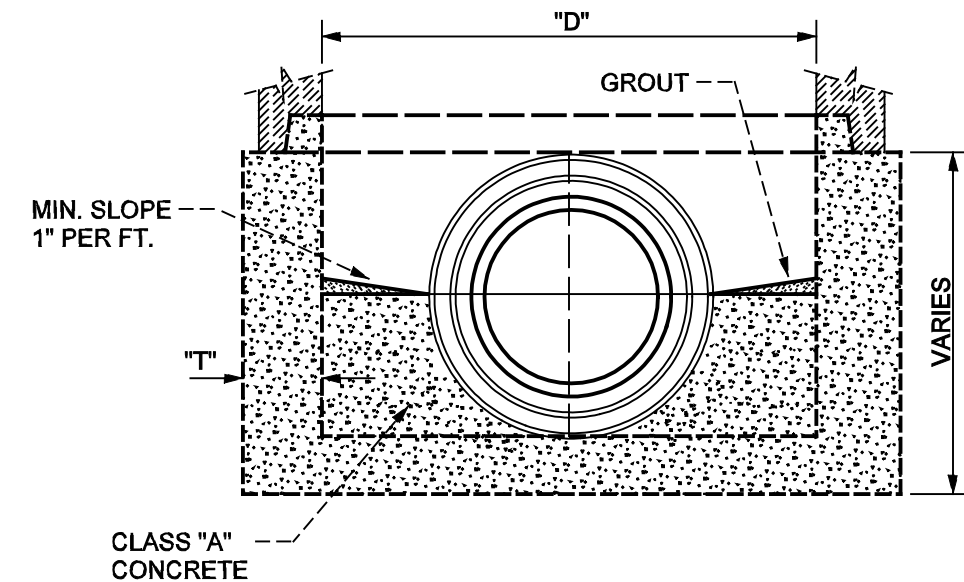


"O" RING JOINT DETAIL

PIPE SIZE	T	D
18" & UNDER	5"	48"
21" & 24"	6"	60"



PRECAST BASE SECTION

NOTE: NO LATERAL CONNECTIONS SHALL BE PERMITTED DIRECTLY INTO MANHOLES UNLESS INSTALLED IN PRECAST BOTTOMS AND THEN ONLY WITH THE APPROVAL OF THE ENGINEER.