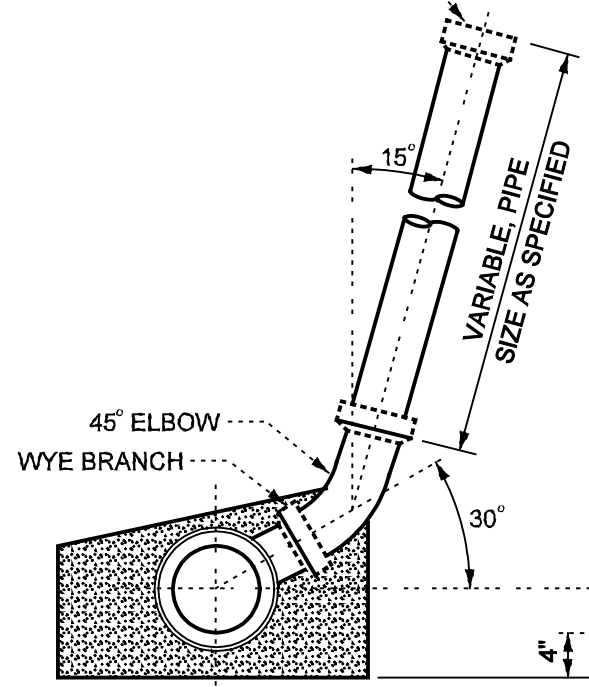
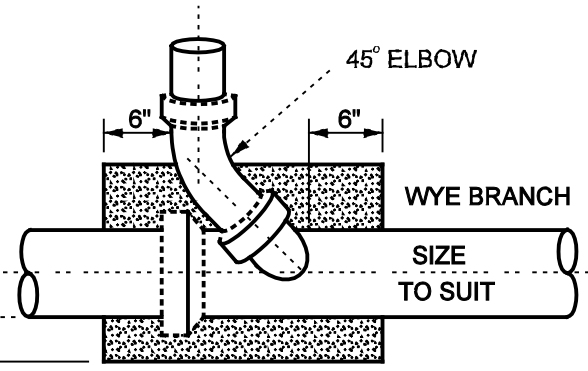


STOPPER IF NOT IMMEDIATELY PLACED IN SERVICE



CLASS "A" CONC. BLOCKING

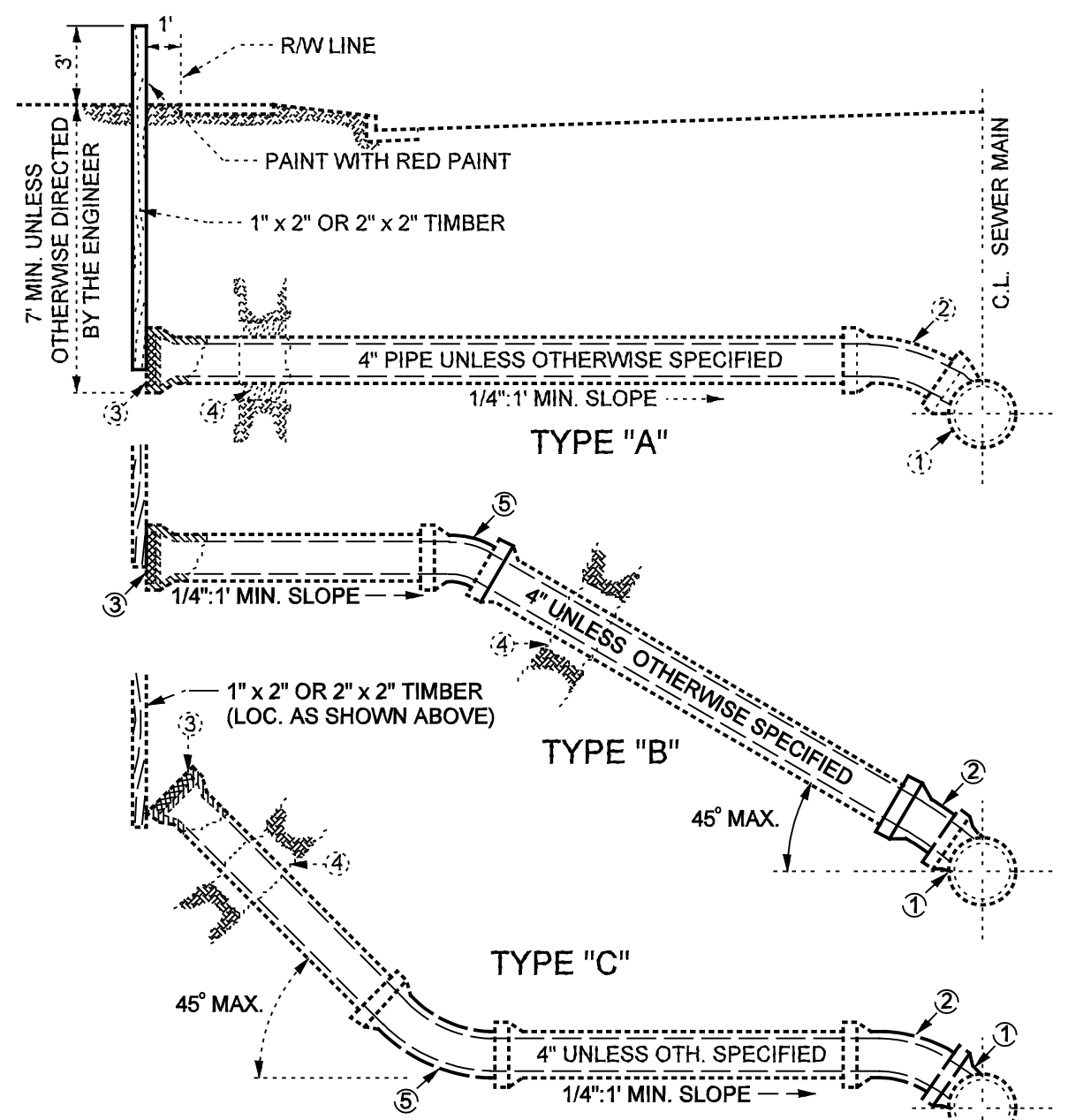
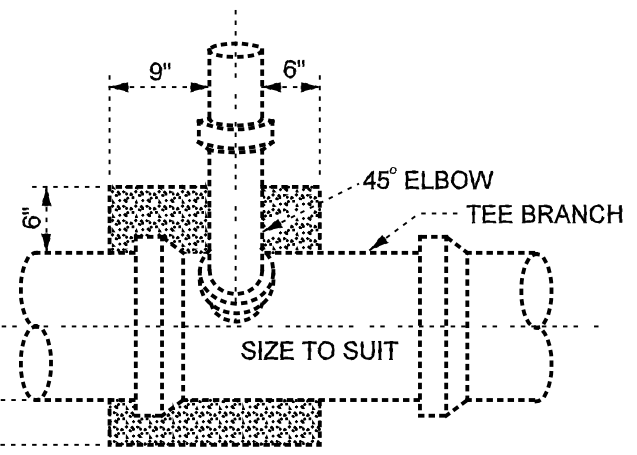
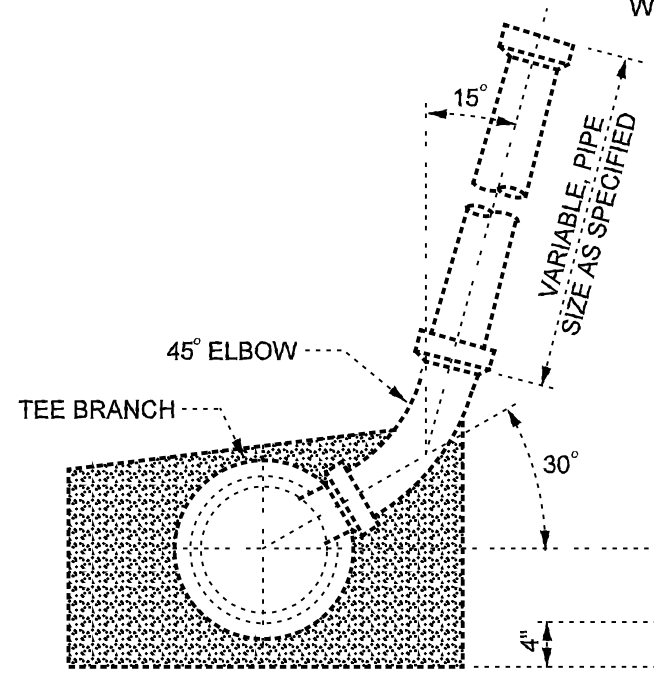
NOTE: RISER PIPE TO BE BEDDED SOLIDLY AGAINST UNDISTURBED GROUND. ALSO TEE MAY BE SUBSTITUTED FOR WYE BRANCH IF APPROVED BY THE ENGINEER.  
 RISER PIPE TO BE INSTALLED SO THAT CONNECTING SERVICE SHALL HAVE A MINIMUM DEPTH OF 7 FEET AT THE PROPERTY LINE UNLESS A GREATER DEPTH IS DIRECTED. IF SANITARY SERVICES ARE SPECIFIED THEY SHALL BE A MINIMUM OF 7 FEET DEEP AT THE PROPERTY LINE UNLESS DIRECTED TO BE AT A GREATER DEPTH.



SERVICE RISER

NOTE: SADDLE MAY BE USED WHERE A TEE OR WYE IS NOT PRESENT FOR LATERAL CONNECTION WITH PRIOR APPROVAL OF THE ENGINEER.

NOTE: CONCRETE BLOCKING REQUIRED IF DEPTH OF CONNECTION IS 12' OR GREATER.



- ① 4" TEE OR WYE-ROTATE 45° FROM HORIZONTAL UNLESS OTHERWISE SPECIFIED.
- ② 4" 1/8 BEND OR 1/16 BEND AS NEEDED.
- ③ CAP UNLESS JOINING EXISTING HOUSE CONNECTION.
- ④ BED PIPE WITH 4" GRANULAR MATERIAL AND BACKFILL WITH GRANULAR MATERIAL TO 4" ABOVE PIPE. (MIN.)
- ⑤ EXACT RECORD OF TAP LOCATIONS MUST BE MADE, AS TO DEPTH FROM SURFACE AND DISTANCE FROM C.L. OF DOWNSTREAM MANHOLE, BEFORE BACKFILL IS PLACED.
- ⑥ PLUMBERS MUST FURNISH THE CITY A DRAWING OF LATERAL LOCATION OUT SIDE OF STREET RIGHT-OF-WAY. DRAWING SHALL INDICATE DEPTH OF LATERAL, DISTANCE TO CORNERS OF HOUSE SERVED, LOCATION OF BENDS AND/OR CLEANOUTS, AND HORIZONTAL AND VERTICAL DISTANCES TO ADJACENT WATER SERVICE.
- ⑦ PIPE MATERIAL TO BE SCHEDULE 40 WITH GLUED JOINTS FROM RIGHT-OF-WAY LINE TO STRUCTURE.

HOUSE CONNECTION