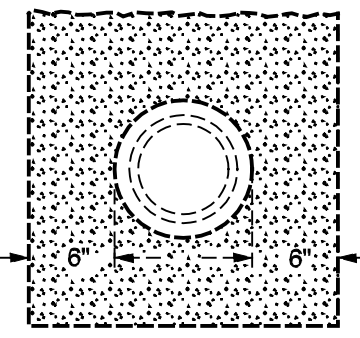
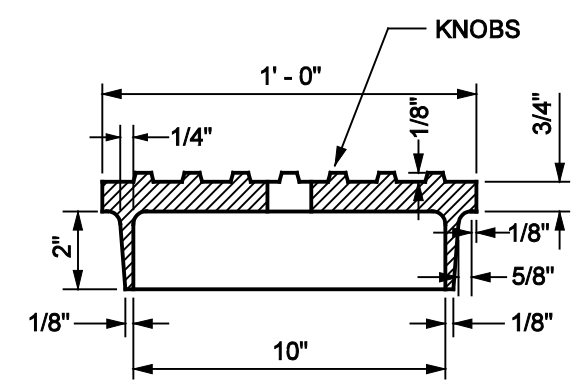
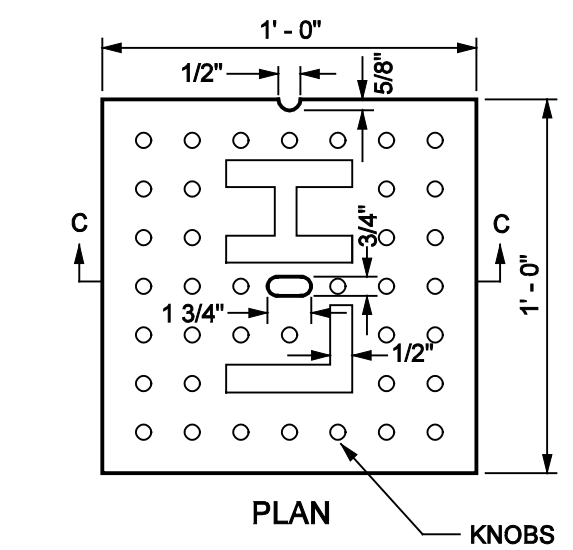


CLASS "A" CONCRETE ENCASUREMENT - 6" MIN. THICKNESS

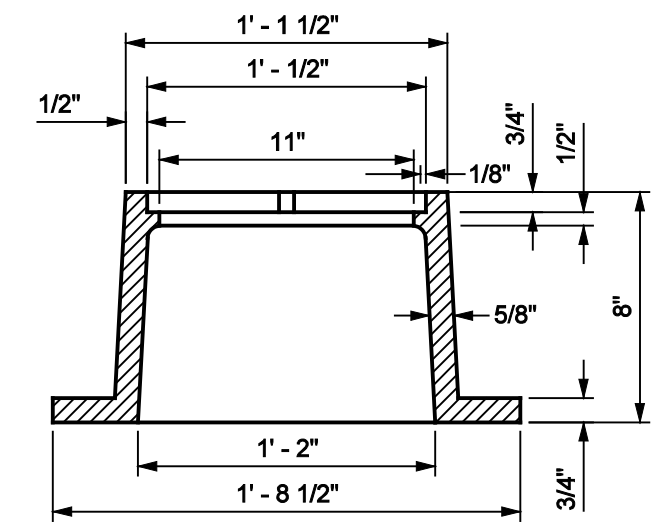
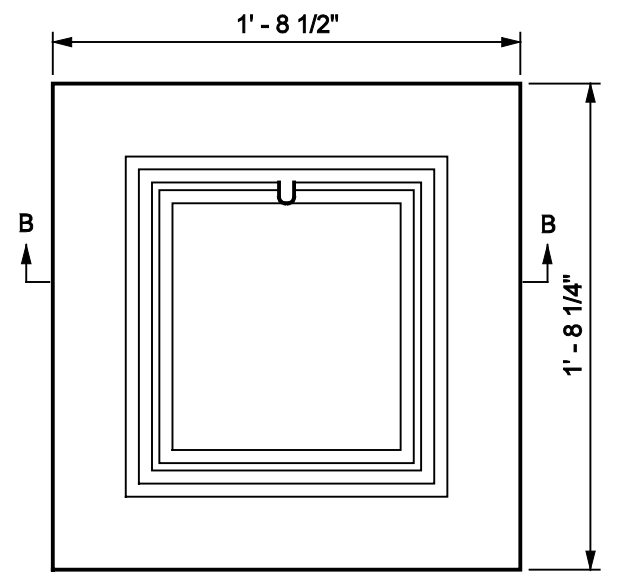
### LAMPHOLE AND CLEANOUT



SECTION A - A



LID



FRAME

NOTE: LAMPHOLE FRAMES AND LIDS SHALL BE EQUAL OF NEENAH CATALOG NO. R-1978-B OR EAST JORDAN IRON WORKS NO. 8380.

LAMPHOLES MAY BE INSTALLED ONLY WITH WRITTEN APPROVAL OF THE ENGINEER.