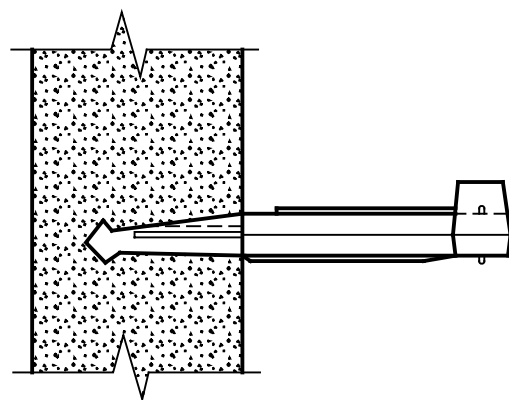
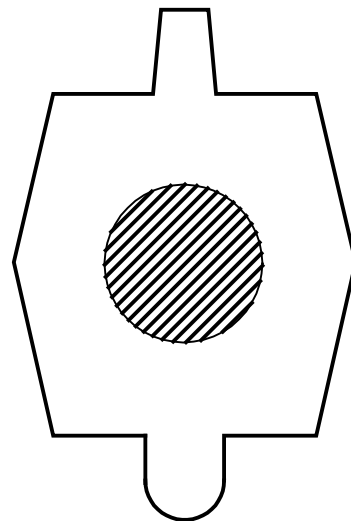
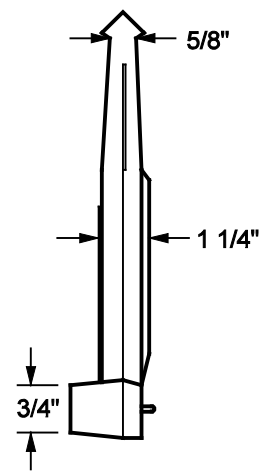


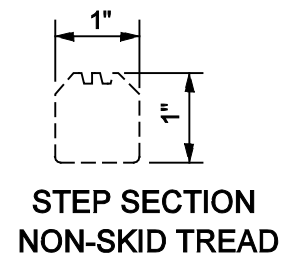
**POLYPROPYLENE
PLASTIC STEP**



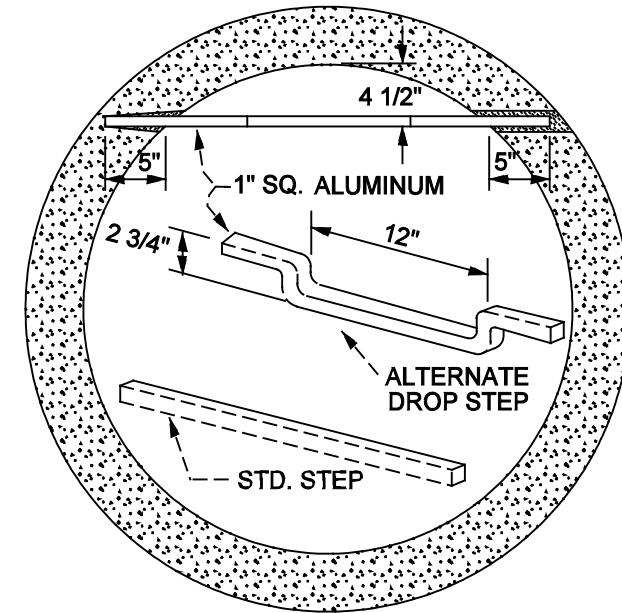
STEPS SHALL BE PLACED INTO
WET CONCRETE WALL DURING
MANUFACTURE OR MORTARED
INTO HOLES AFTER CONCRETE
HAS SET.



SECTION A-A

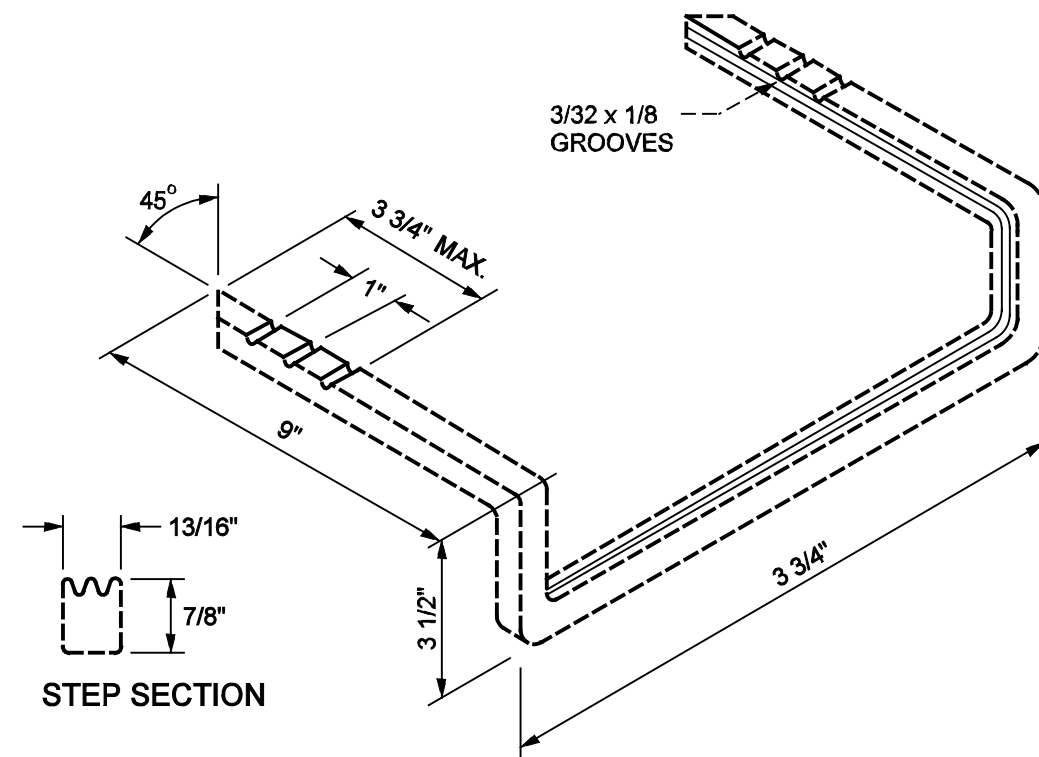


STEP SECTION
NON-SKID TREAD



STANDARD SECTION
THRU MANHOLE

ALUMINUM BAR TYPE STEP



STEP SECTION

FORGED ALUMINUM STEP