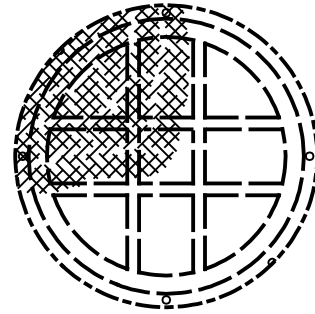
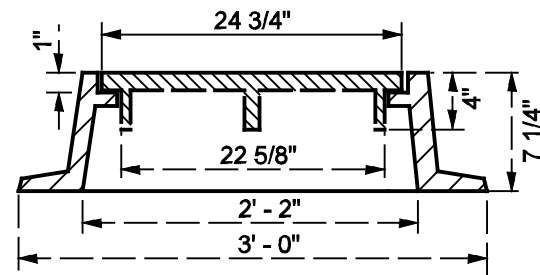


STANDARD LID

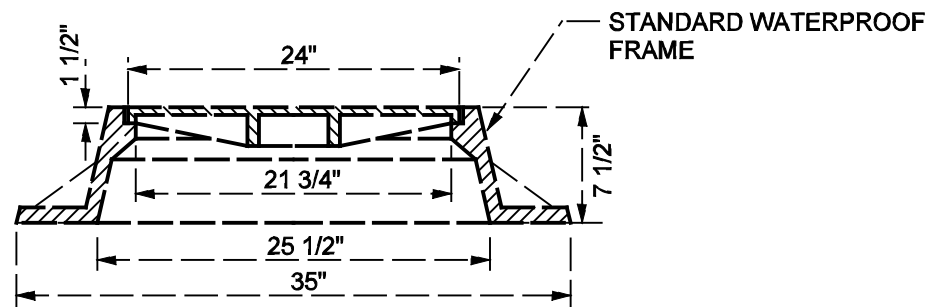
NOTE: SANITARY MANHOLE FRAMES AND COVERS SHALL BE EQUAL OF NEENAH CATALOG NO. R-1767 OR EAST JORDAN IRON WORKS NO. 1600. WATERTIGHT MANHOLES SHALL BE THE EQUAL OF NEENAH CATALOG NO. R-1916-D OR EAST JORDAN IRON WORKS NO. 1600 WT.



STANDARD BOLTED LID



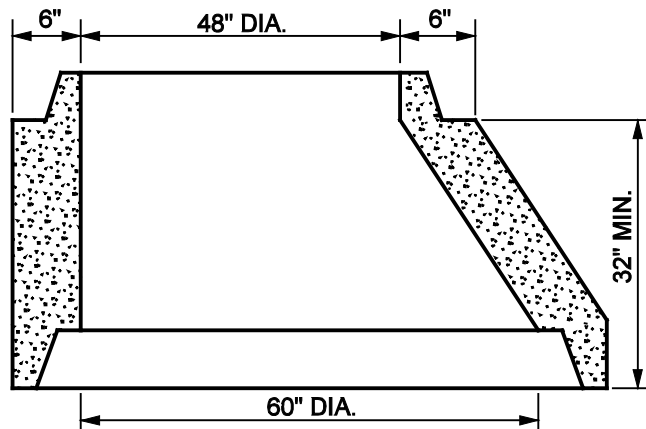
SECTION - FRAME & LID



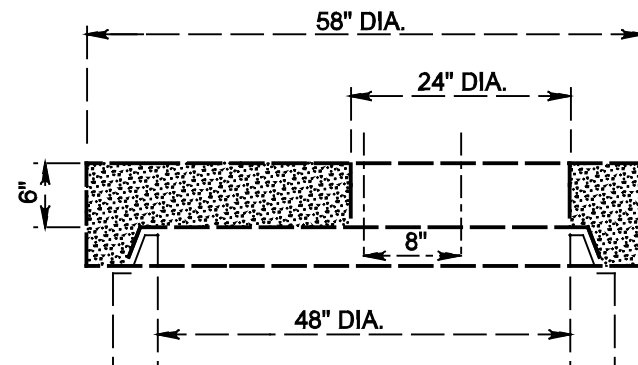
SECTION - FRAME & LID

**STORM MANHOLE FRAMES & LIDS**

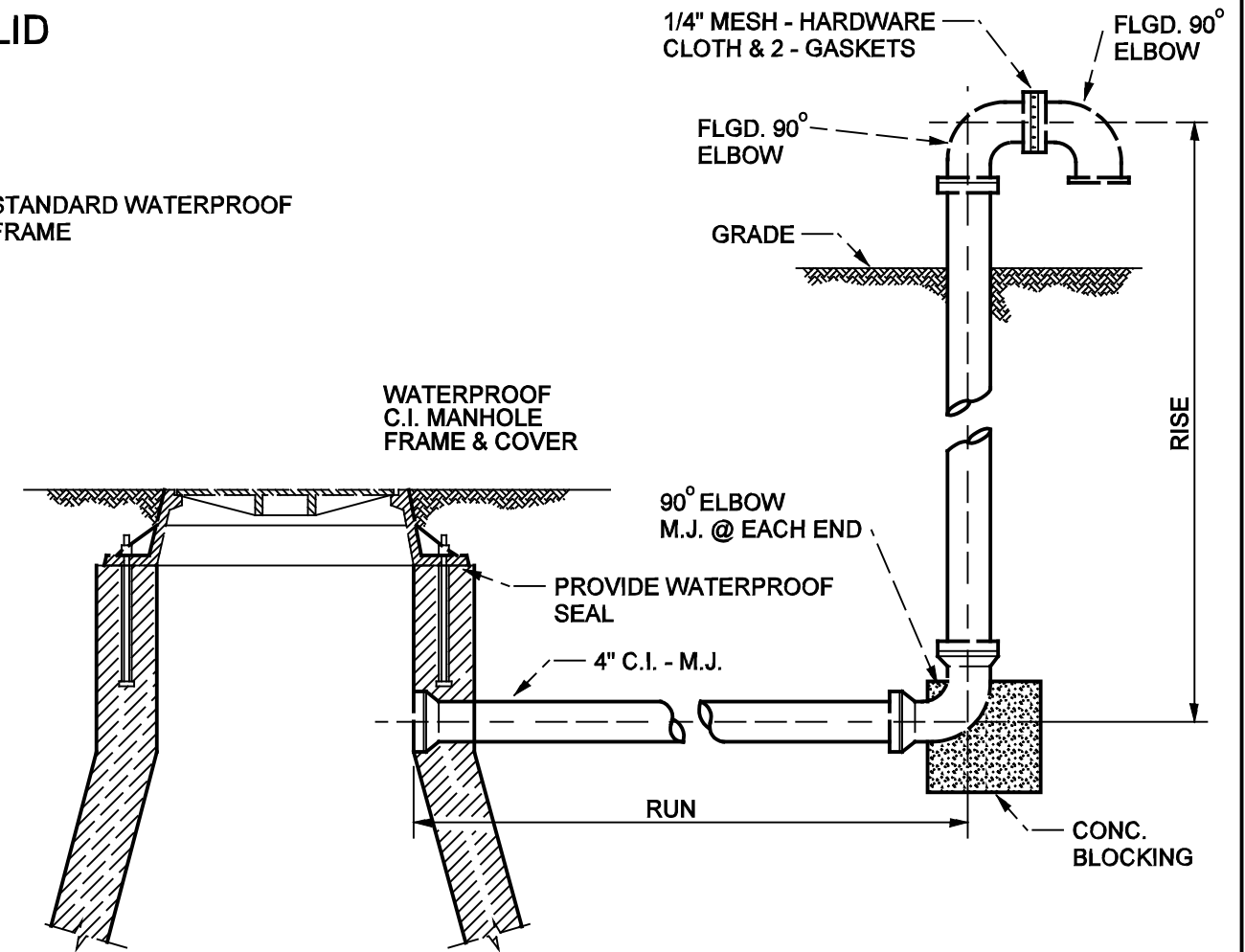
NOTE: ECCENTRIC REDUCER SHALL BE USED WHERE THE SECTION OF MANHOLE IS LARGER THAN 48" DIA. AND SHALL BE INSTALLED DIRECTLY ABOVE THE BASE SECTION.



ECCENTRIC REDUCER



FLAT SLAB MANHOLE TOP FOR TYPE "E" MANHOLE



VENTED WATER TIGHT MANHOLE