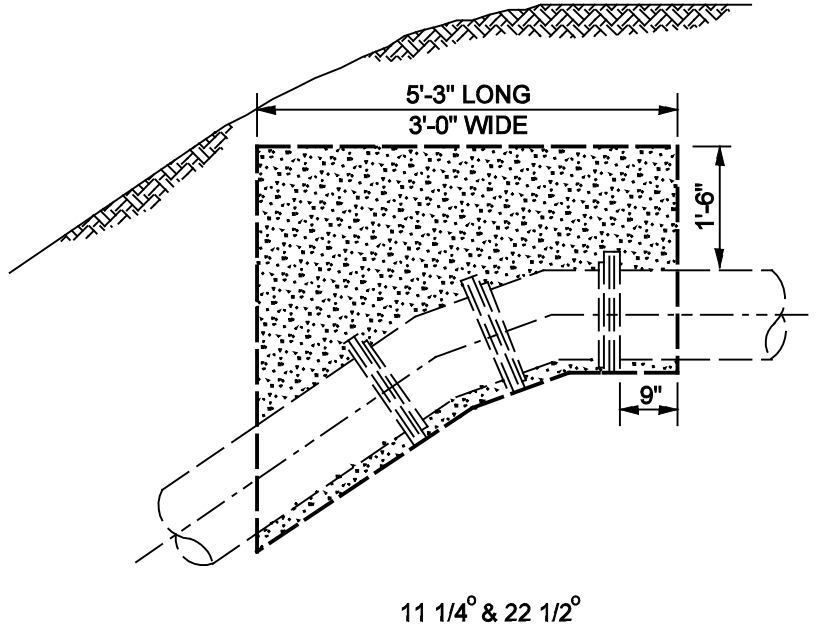
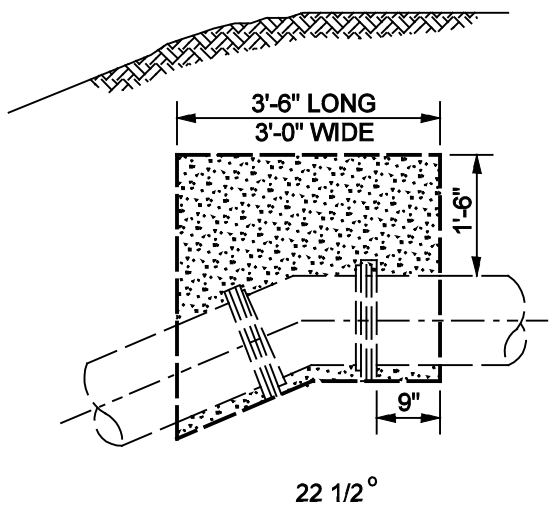
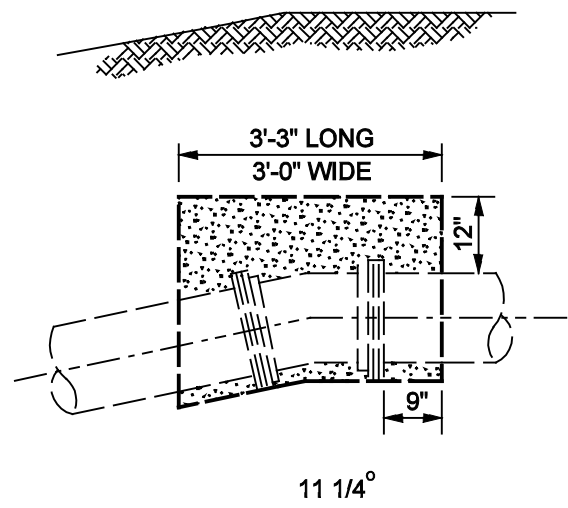
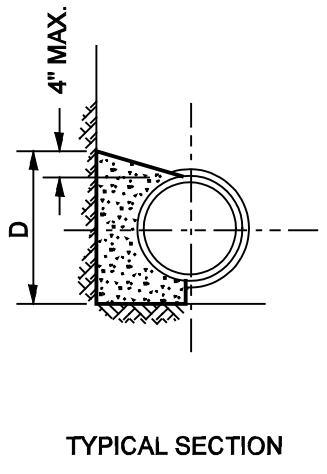
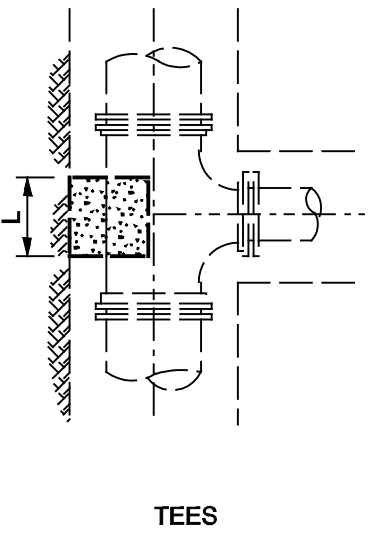
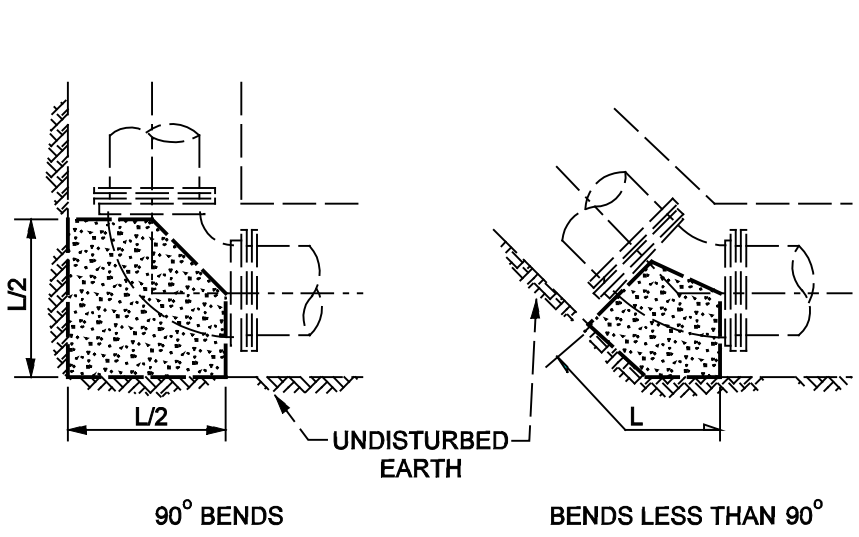


NOTE:
CLASS "A" CONCRETE TO
BE USED FOR ALL BLOCKING.

NOTE:
BLOCKING MAY BE USED IN LIEU OF
RESTRAINED JOINTS ONLY UPON RECEIPT
OF WRITTEN PERMISSION FROM THE
ENGINEER.



CONCRETE BLOCKING FOR VERTICAL BENDS



		BENDS							
SIZE OF PIPE	DEGREE OF BEND	11 1/4°		22 1/2°		45°		90°	
		L	D	L	D	L	D	L	D
3", 4", 6"		8"	6"	10"	6"	20"	6"	36"	6"
8"		9"	8"	14"	8"	24"	9"	50"	8"
12"		14"	12"	22"	12"	30"	16"	60"	15"
16"		18"	16"	24"	18"	33"	36"	70"	22"

		TEES							
RUN	BRANCH	3", 4", 6"		8"		12"		16"	
		L	D	L	D	L	D	L	D
3", 4", 6"		16"	7"						
8"		14"	8"	18"	12"				
12"		9"	12"	18"	12"	24"	18"		
16"		8"	16"	14"	16"	28"	16"	30"	26"

CONCRETE BLOCKING FOR HORIZONTAL BENDS