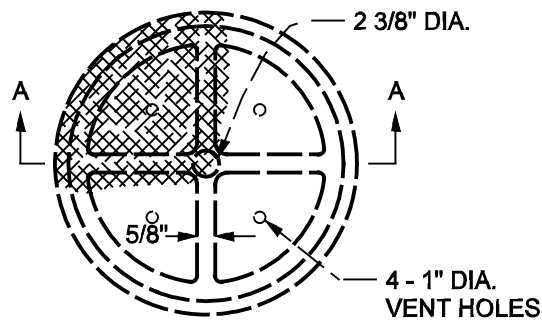
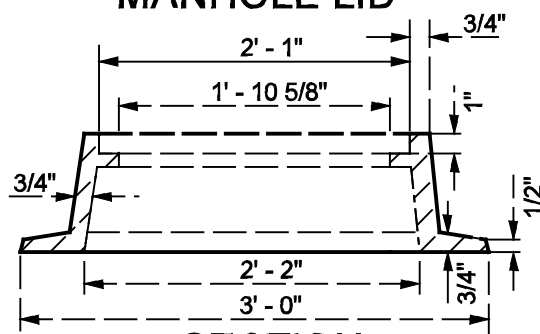


SECTION A-A

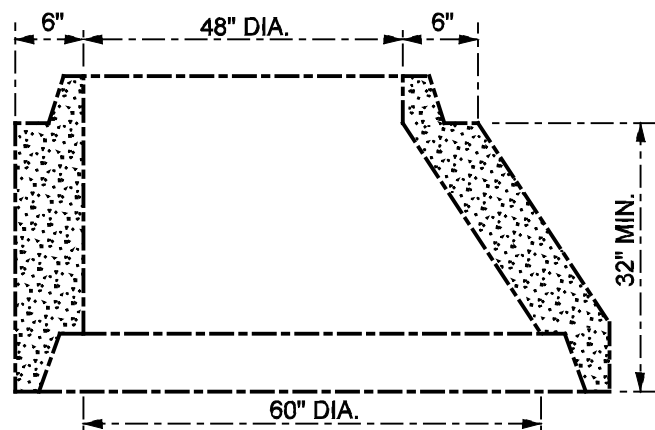


**PLAN
MANHOLE LID**



SECTION

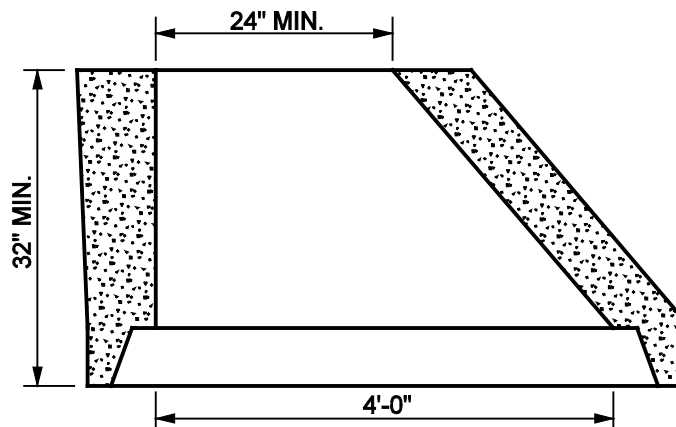
**STORM MANHOLE
FRAME AND LID**



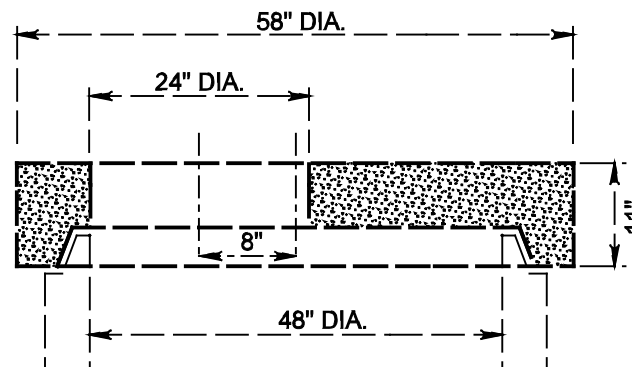
ECCENTRIC REDUCER

NOTE: OUTSIDE OF PAVED AREA, STORM MANHOLE FRAME AND LID MAY BE EQUAL OF EAST JORDAN IRON WORKS NO. 1610, AS DIRECTED BY THE ENGINEER.

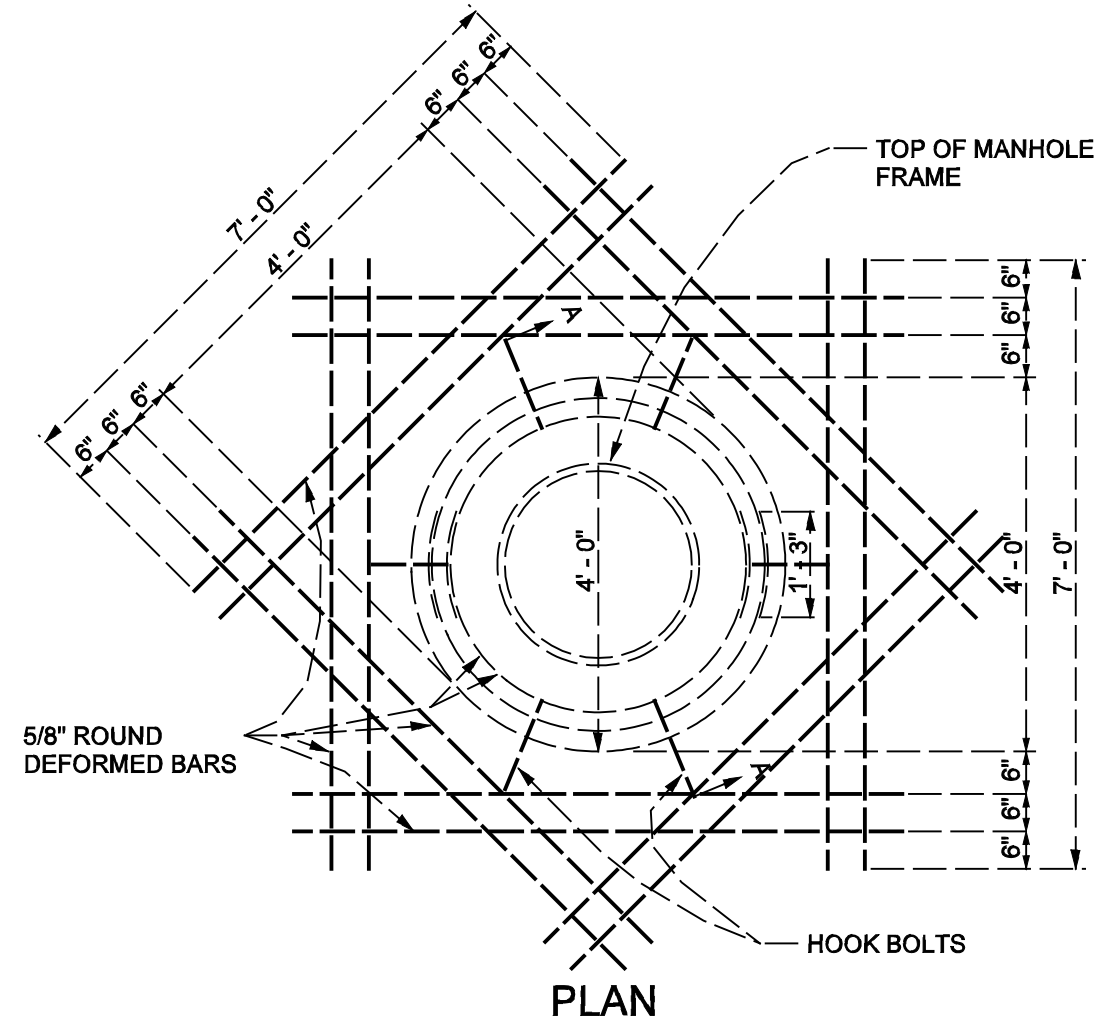
IN PAVED AREAS STORM MANHOLE FRAME AND LID SHALL BE EQUAL OF NEENAH CATALOG NO. R-1767 OR EAST JORDAN IRON WORKS NO. 1600.



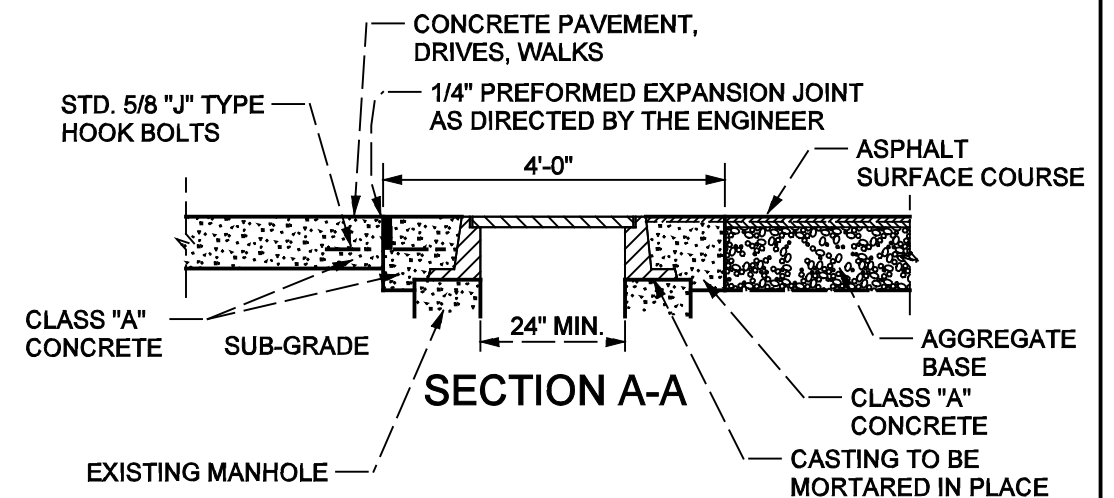
ECCENTRIC CONE



**FLAT SLAB
MANHOLE TOP**



PLAN



**TYPICAL CONSTRUCTION
AROUND MANHOLE**

MANHOLES SHALL BE INITIALLY SET AT A LOWER THAN FINISHED BASE GRADE AND ADJUSTED TO FINAL GRADE PRIOR TO PLACING OF THE SURFACE COURSE.